



California Faucets®

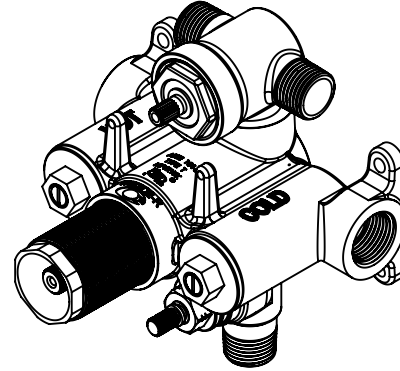
StyleTherm®

1/2" Thermostatic Rough Valve w/ Integral Non-Shared Dual Outlets & Integral Single Volume Control

THT52D2-R

Features

- Forged brass valve body construction
- Max flow rate: 6.8 gpm (25.7 L/m) @ 60 psi per upper outlet
- Max flow rate: 7.4 gpm (28.0 L/m) @ 60 psi lower outlet
- Integral service stops with check valves
- Single-handle temperature mixing
- Thermostatic anti-scald protection
- Genuine Vernet® mixing cartridge featuring
 - Polymer construction limits limescale build-up
 - Integrated filter screens
 - Paraffin wax element
- Integral upper dual non-shared ceramic disc cartridge
 - Volume controllable, full-off at 12 o'clock position
 - 1/4 turn left or right to open each outlet
- Integral lower 1/4 turn ceramic disc cartridge

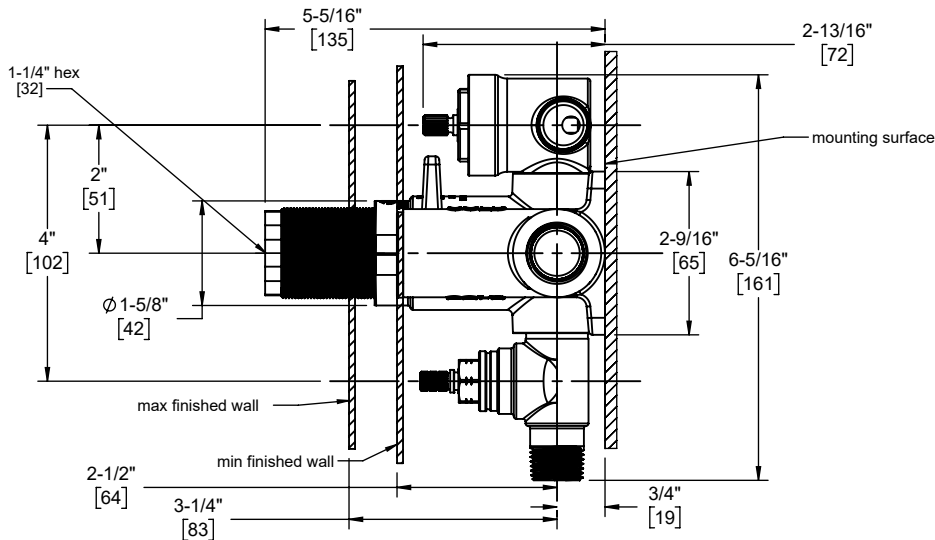


mudguard not shown

Codes/Standards

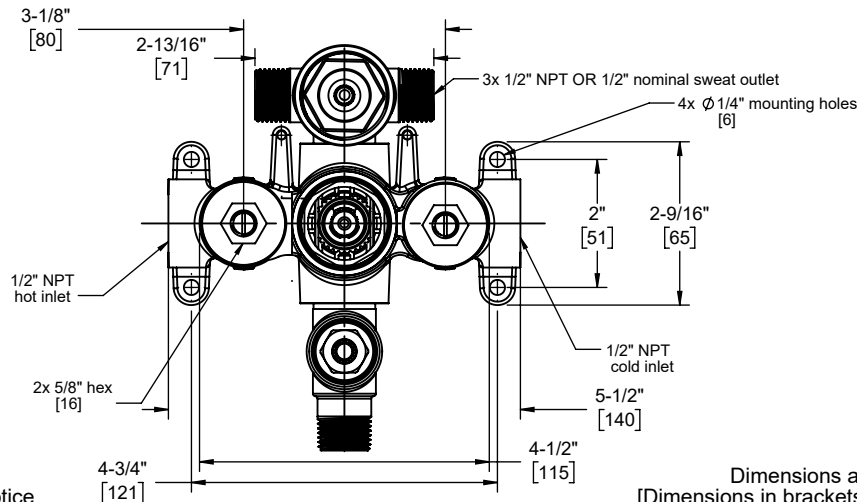
Product meets or exceeds the following:

- ASME A112.18.1/CSA B125.1
- ASSE 1016
- CALGREEN compliant when volume control is used for tub spout



side view

front view



Specifications subject to change without notice

Dimensions are inches, rounded to 1/16"
[Dimensions in brackets are mm, rounded to 1mm]