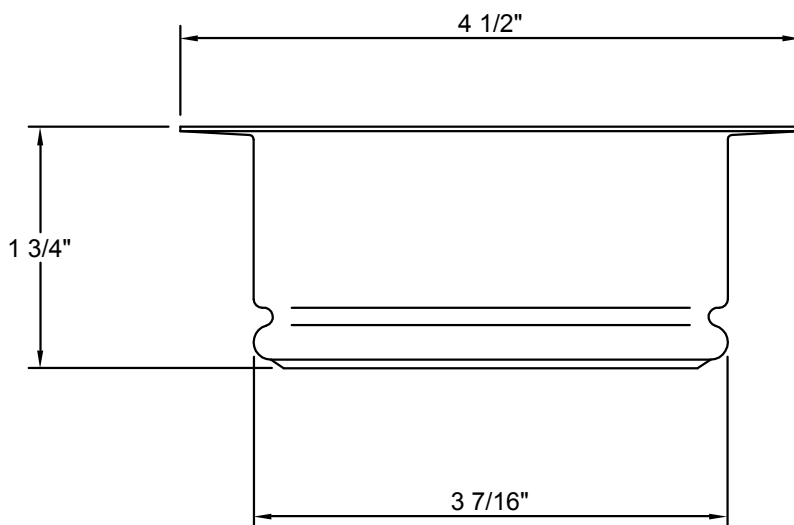


**Top View**



**Side View**

  
**California Faucets®**  
 info@calfaucets.com  
 www.calfaucets.com

**FIXTURE:**  
**Garbage Disposer Flange**  
**MODEL #:** 9656-B  
**DWG NO:** . **REV:**

REVISIONS	REV DATE	STARTING DATE: June 14, 2005
		APPRVD DATE:
		APPRVD BY:
		SCALE: None
		DRAWN BY: William Linares william@calfaucets.com