



Features

- Available in 28 finishes including 13 PVD Finishes
- All brass construction
- Tub filler: Maximum flow rate: 15 gpm (60.6 L/min) at 60 psi
- Handshower: Flow rate: 2.0 gpm (7.6 L/min) or 1.8 gpm (6.8 L/min)
- Rotatable handshower bracket may be placed on COLD or HOT side of body
- 1/4 turn ceramic disc cartridges
- Rough kit (9516) sold separately

Codes/Standards Applicable

Product meets or exceeds the following:

- ASME A112.18.1/CSA B125.1
- CEC (1.8 gpm) / DOE (2.0 & 1.8 gpm)
- Commonwealth of MA
- EPA WaterSense handshower (2.0 gpm)
- EPA WaterSense (2.0 gpm)
- ADA compliant (with lever handles)



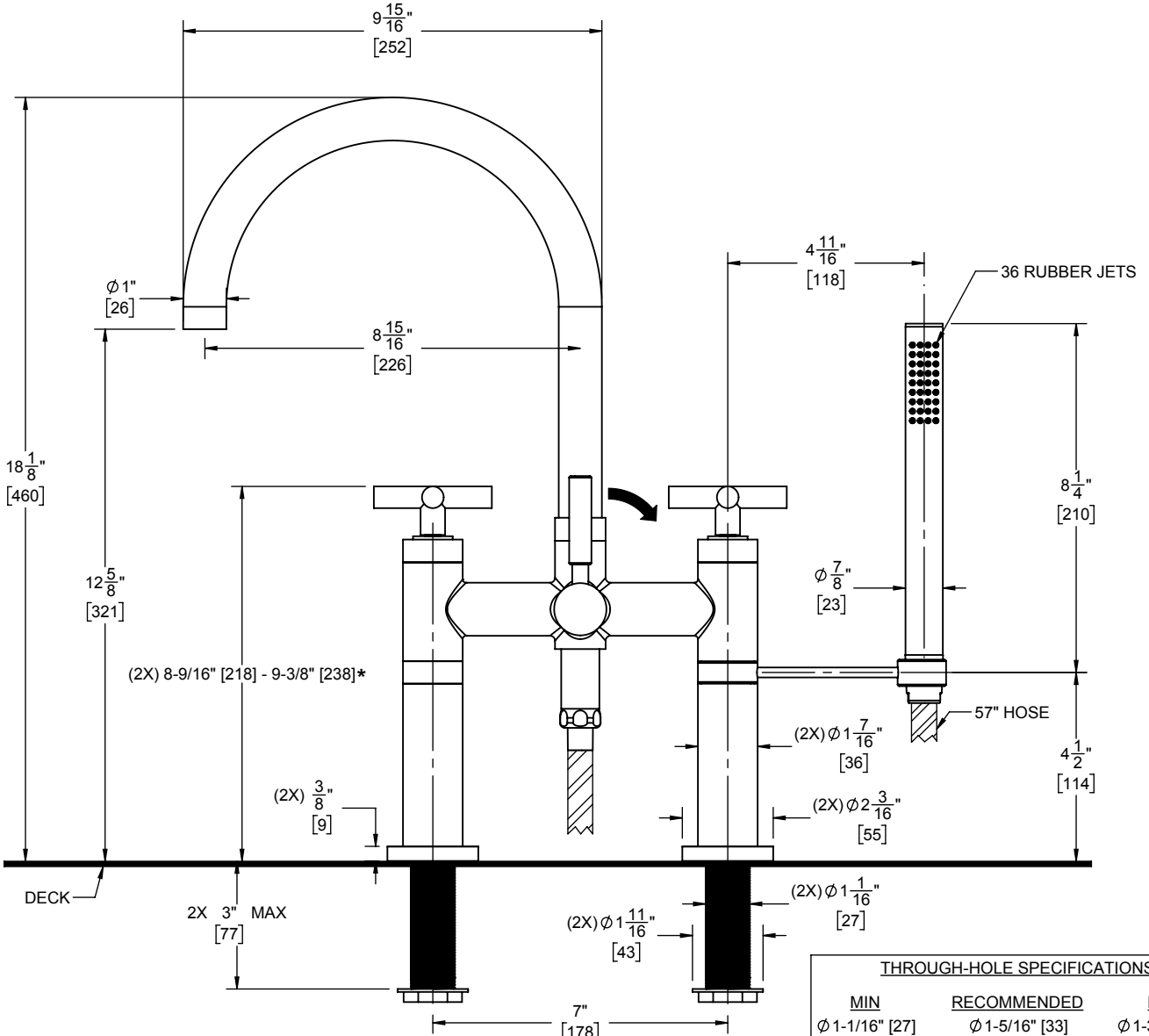
1108-74.FR shown

1108-XX.20
1108-XX.18



XX = DENOTES HANDLE SERIES

* = DIMENSION VARIES BASED ON HANDLE SERIES



* HEIGHT VARIES BASED ON HANDLE SERIES
SPECIFICATIONS SUBJECT TO CHANGE WITHOUT NOTICE