

American Standard

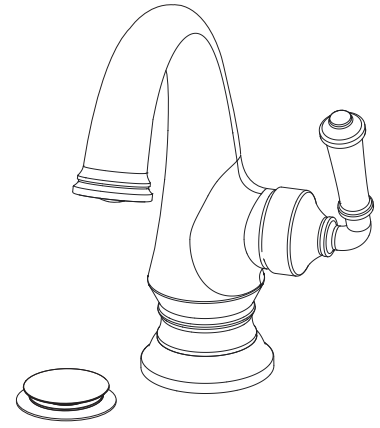
INSTALLATION INSTRUCTIONS

7052121
7052124

Delancey® Single Control Lavatory Faucet

Thank you for selecting American Standard...
the benchmark of fine quality for over 140 years.

To ensure that your installation proceeds smoothly-please read these instructions carefully before you begin.

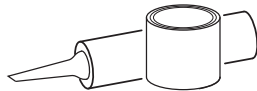


Certified to comply with ANSI A112.18.1M

RECOMMENDED TOOLS



Adjustable Wrench



Plumbers' Putty or Caulking



Regular Screwdriver



Phillips Screwdriver

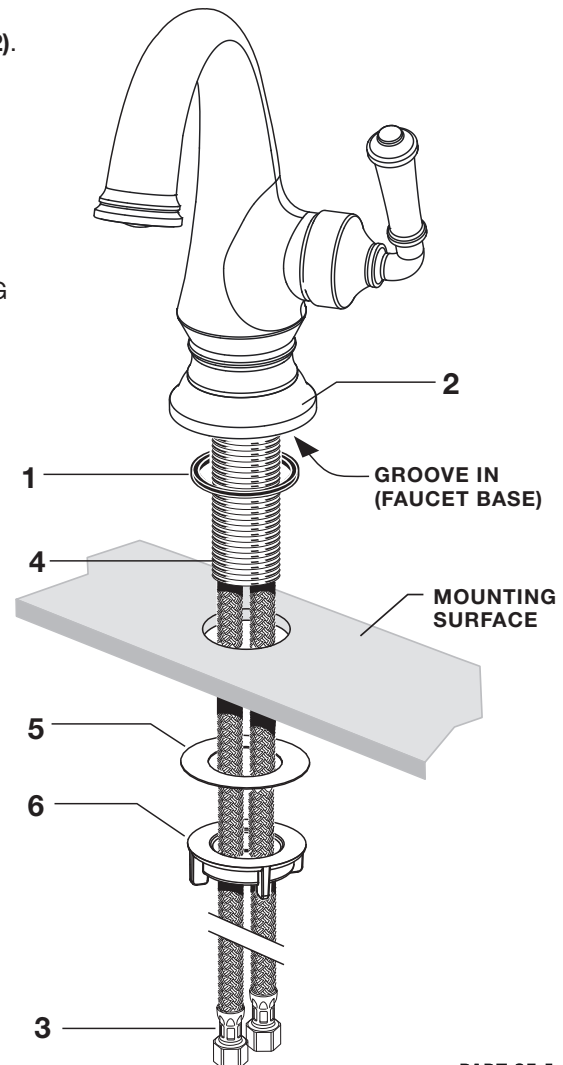


Channel Locks

1 INSTALL LAVATORY FAUCET

CAUTION Turn off hot and cold water supplies before beginning.

- Seat SEAL (1) into groove in under side of ESCUTCHEON BASE (2).
- Seat ESCUTCHEON BASE (2) with collar facing up into groove in faucet base.
- Feed FAUCET SUPPLIES (3) and MOUNTING SHANK (4) through hole in mounting surface.
- From below, install GASKET (5) and MOUNTING NUT (6) onto SHANK (4). Secure Faucet with MOUNTING NUT (6). Before final tightening, adjust Faucet so that it is centered. Tighten MOUNTING NUT (6) to complete faucet mounting.



HOT LINE FOR HELP

For toll-free information and answers to your questions, call:
1 (800) 442-1902

Mon. - Fri. 8:00 a.m. to 8:00 p.m. EST

Saturday 10:00 a.m. to 4:00 p.m. EST

IN CANADA 1-800-387-0369

(TORONTO 1-905-306-1093)

Weekdays 8:00 a.m. to 7:00 p.m. EST

IN MEXICO 01-800-839-1200



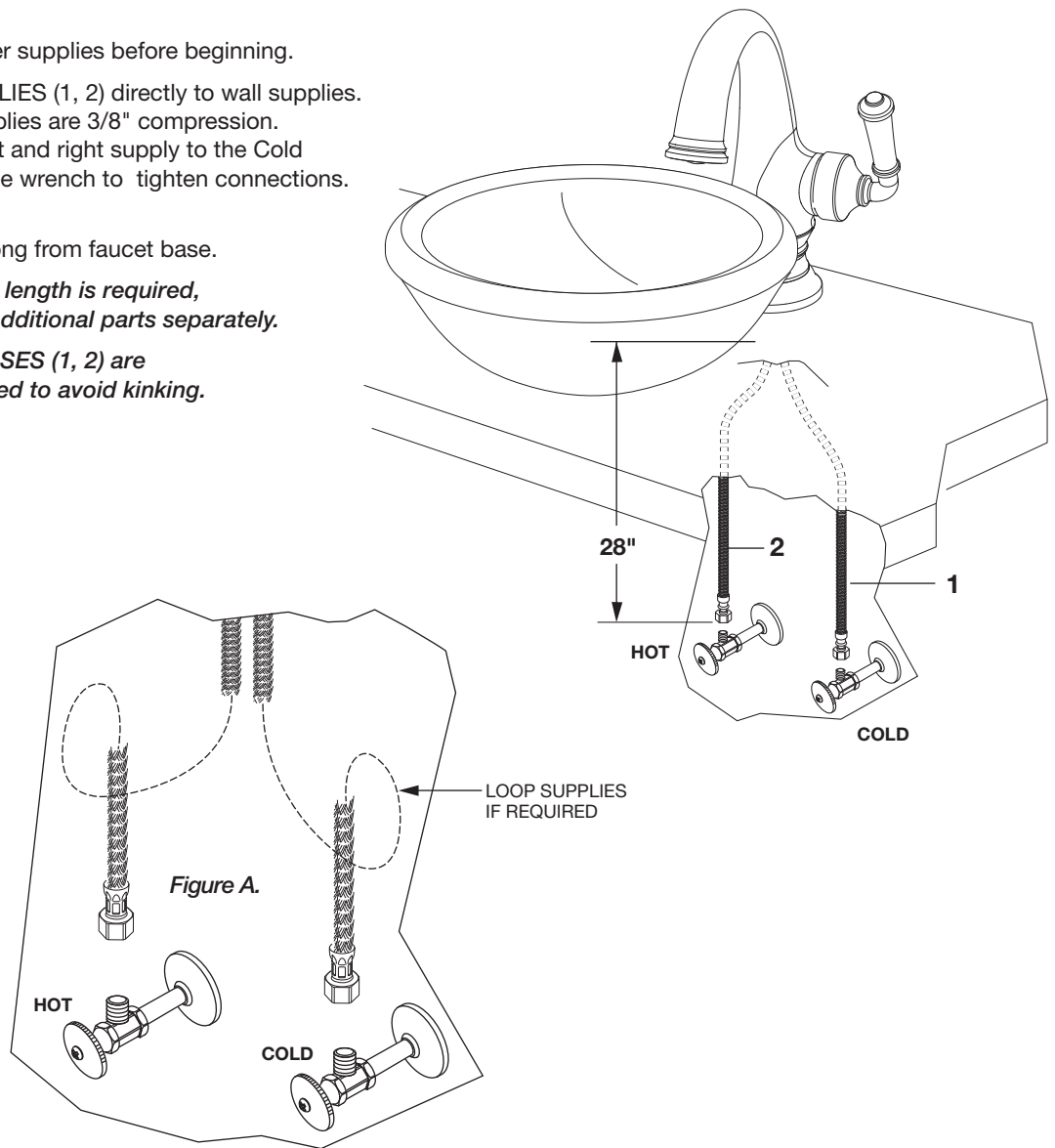
PART OF LIXIL

2 MAKE WATER SUPPLY CONNECTIONS

- Turn off hot and cold water supplies before beginning.
- Connect FLEXIBLE SUPPLIES (1, 2) directly to wall supplies. Connection on fitting supplies are 3/8" compression. Connect left supply to Hot and right supply to the Cold wall supply. Use adjustable wrench to tighten connections. Do not over tighten.
- Faucet supplies are 28" long from faucet base.

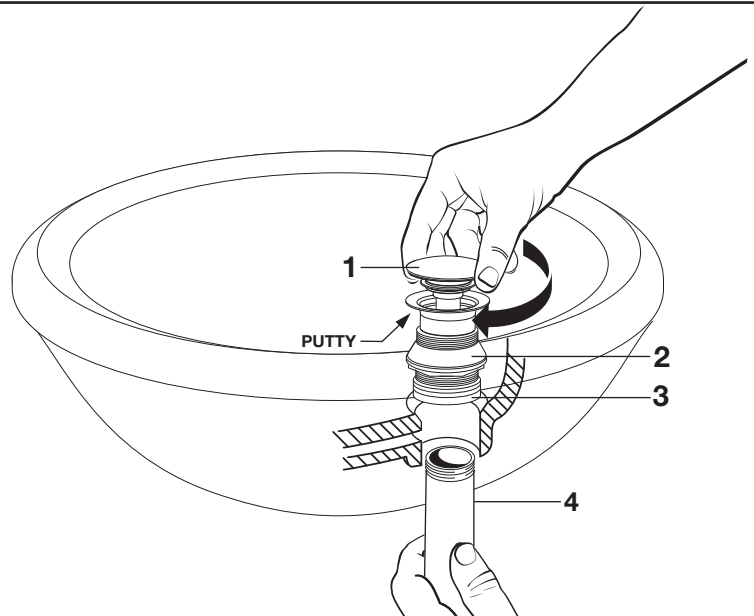
Note: If additional supply length is required, installer must purchase additional parts separately.

Important: If SUPPLY HOSES (1, 2) are too long, loop as illustrated to avoid kinking. Figure A.



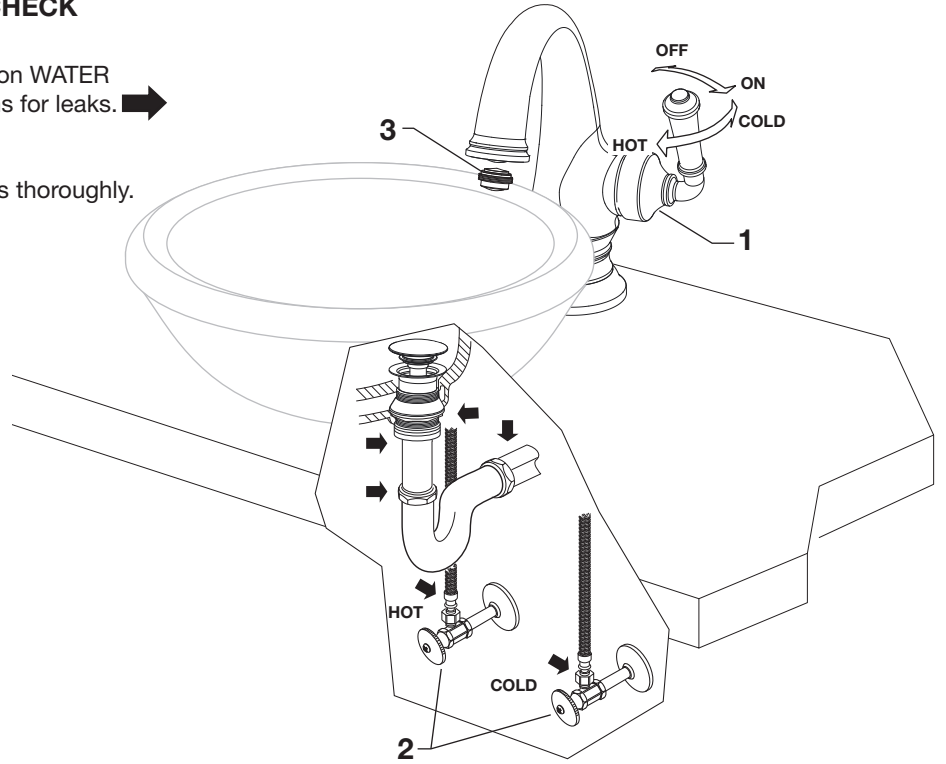
3 DRAIN INSTALLATION

- Install DRAIN (1) by dropping it from the top of the sink.
- From under side of SINK install GASKET (2) and MOUNTING NUT (3).
- Note:** Plumber's putty or caulk is recommended.
- Thread TAIL PIECE NUT (4) clockwise onto DRAIN BODY (2).
- Check DRAIN FLANGE in SINK to ensure that FOAM GASKET (3) is fully compressed and not visible.
- Operate DRAIN (1) to verify that it opens and closes.



4 TEST INSTALLED FAUCET AND CHECK FOR LEAKS

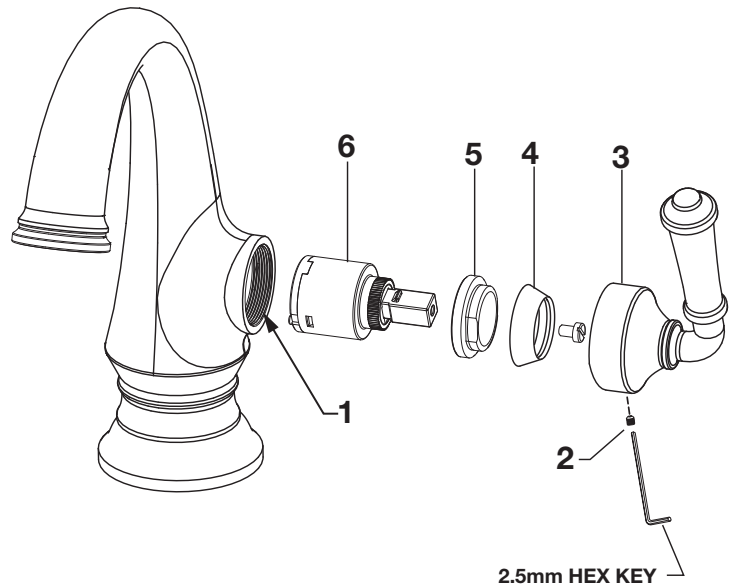
- With HANDLE (1) in OFF position, turn on WATER SUPPLIES (2) and check all connections for leaks. →
- Remove AERATOR (3).
- Operate HANDLE (1) to flush water lines thoroughly.
- Replace AERATOR (3).



5 SERVICE

CAUTION Turn off hot and cold water supplies before beginning.

- To remove or replace cartridge:
 - Turn valve to OFF position.
 - Remove HANDLE SCREW (2).
 - Pull off HANDLE (3) and CAP (4).
 - Unthread CARTRIDGE NUT (5) and remove.
 - Pull out CARTRIDGE (6).
 - Inspect CARTRIDGE (6) for debris and clean if necessary.
 - Clean MANIFOLD (1) and rinse clean.
 - Reinstall CARTRIDGE (6) onto MANIFOLD (1).
 - Reinstall CARTRIDGE NUT (5), CAP (4) and HANDLE ASSEMBLY (3).
- If spout drips, operate handle several times from OFF to ON and HOT to COLD position. Do not force - handle turns only 90°.



6 CARE INSTRUCTIONS:

DO: SIMPLY RINSE THE PRODUCT CLEAN WITH CLEAR WATER. DRY WITH A SOFT COTTON FLANNEL CLOTH.

DO NOT: DO NOT CLEAN THE PRODUCT WITH SOAPS, ACID, POLISH, ABRASIVES, HARSH CLEANERS, OR A CLOTH WITH A COARSE SURFACE.