



ACCURATE  
LOCK & HARDWARE  
AMERICAN CRAFTED SINCE 1972

---

8700 / 8800 Mortise Locks

STRONG, VERSATILE LOCKS FOR NARROW STILE DOORS

# DESIGNED WITH STILE IN MIND

## 8700 / 8800 NARROW BACKSET MORTISE LOCKS

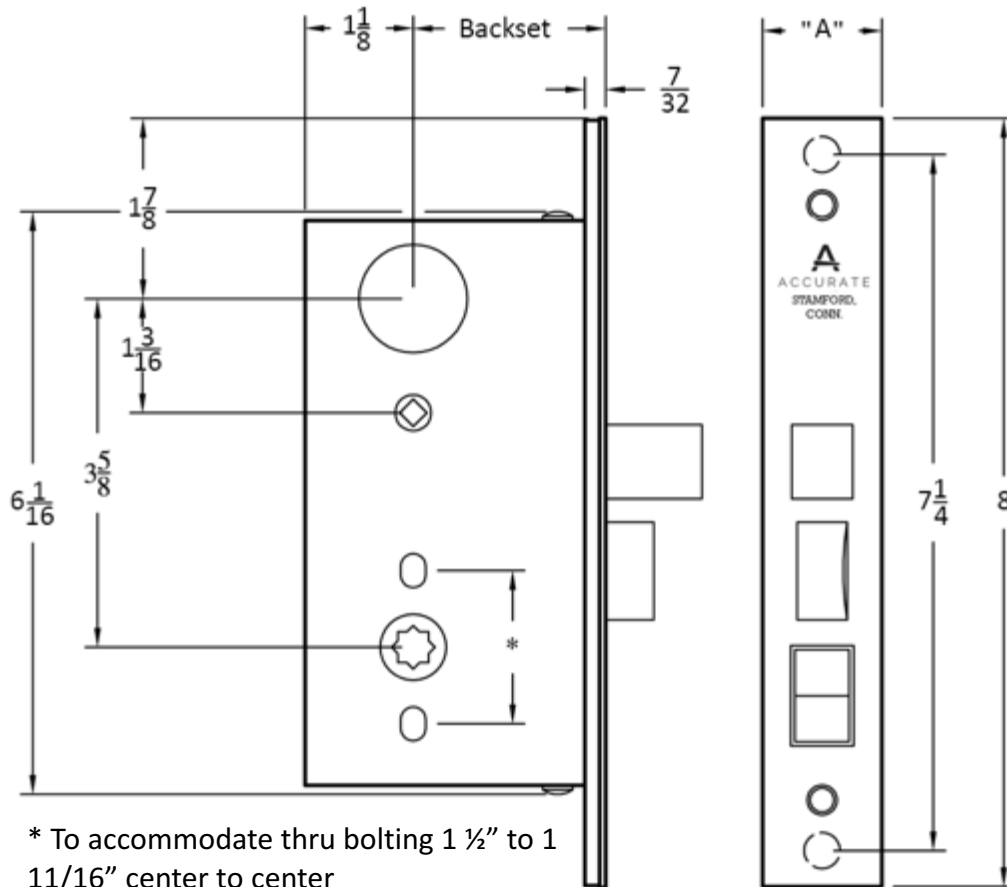
- Narrow backsets including 1 $\frac{1}{2}$ " , 1 $\frac{3}{4}$ " , 2" , and 2 $\frac{1}{4}$ " - ideal for narrow stile doors (minimum 3" stile recommended)
- **Featuring Emergency Egress (single-action egress):** On functions with latch and deadbolt, activating the inside handle, will retract latch bolt and deadbolt simultaneously
- For lever x lever or knob x knob applications (can be custom made to accept thumb grips: thumb grip x lever or thumb grip x knob, in most functions)
- For use with Accurate's Levers or custom fitted for most manufacturers' sectional (rose) trim\*
- Compatible with [SilentPac™ Lever Dampening Disc](#)
- Available for upside down, European-style installation
- Can be customized for use on rabbeted doors (with standard or traditional style rabbeted kits)



**8848 ENTRY LOCK**

*\* Please call for assistance when using escutcheons*

# 8700/8800 Series: Technical Details



\* To accommodate thru bolting  $1\frac{1}{2}$ " to  $1\frac{11}{16}$ " center to center

A:  $1\frac{1}{4}$ " (8800 locks, for  $1\frac{3}{4}$ " thick doors) or 1" (8700 locks, for  $1\frac{3}{8}$ " thick doors)

**BACKSET:**  $1\frac{1}{2}$ ",  $1\frac{3}{4}$ ", 2",  $2\frac{1}{4}$ "

**CASE:** Heavy gauge, plated steel ( $1\frac{5}{16}$ " thick)

**ARMOR FRONT:** Adjustable bevel brass, bronze, or stainless steel, finished as required (see all finish options pg. 9).

**LATCH BOLT:** Brass, solid type  $\frac{1}{2}$ " throw

**DEADBOLT:** Brass, 1" throw. (Other throw sizes available as a custom order. Please call for assistance.)

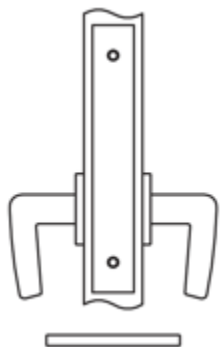
**STRIKE:**  $4\frac{7}{8}$ " ASA

**HUBS:** Available in different sizes to be compatible with various trims.

**THUMB TURN HUB:**  $\frac{3}{16}$ " (5mm) on the diamond

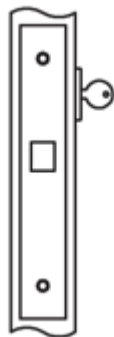
**DUST BOX:** Brass, stainless steel or oil rubbed bronze

# 8700/8800 Series: Functions



## 8700ADL/8800ADL ACTIVE DUMMY LOCK

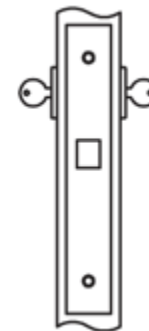
Active handles inside and out.



## 8701/8801 DEADLOCK (ANSI SERIES 1000-F18)

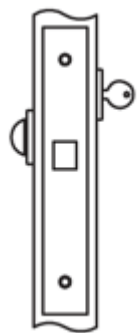
Deadbolt by key outside.

No inside operation.



## 8702/8802 DEADLOCK (ANSI SERIES 1000-F16)

Deadbolt by key either side.



## 8703/8803 DEADLOCK (ANSI SERIES 1000-F17)

Deadbolt by key outside and turn piece inside.



## 8704/8804 DEADLOCK

Deadbolt by turn piece inside.

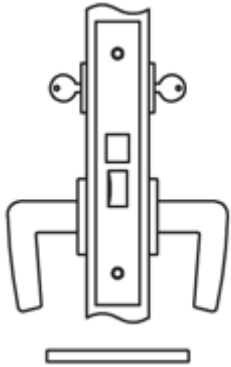
No outside operation.



## 8705/8805 DEADLOCK

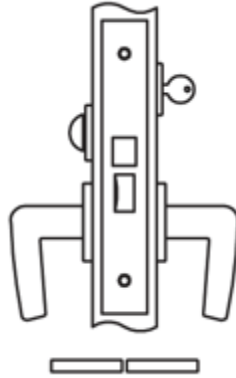
Deadbolt by turn piece inside and emergency key outside.

# 8700/8800 Series: Functions



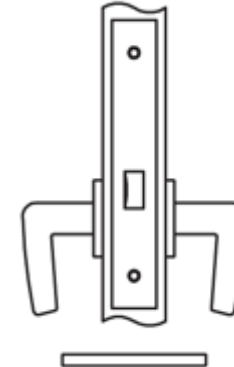
**8722/8822  
STORE DOOR  
(ANSI SERIES 1000-F14)**

Latch bolt by lever either side.  
Deadbolt by key either side.  
No emergency egress.



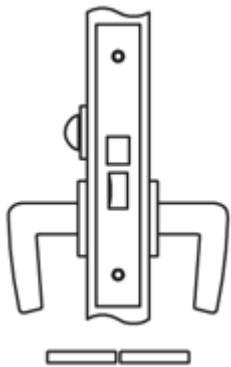
**8724/8824  
DORMITORY  
(ANSI SERIES 1000-F13)**

Latch bolt by lever either side.  
Deadbolt by key outside, thumbturn inside.  
A turn of the inside lever retracts latch and deadbolt simultaneously, automatically unlocking outside lever.



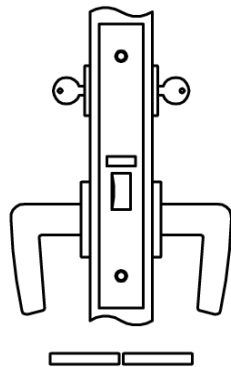
**8725/8825  
PASSAGE AND CLOSET LATCH  
(ANSI SERIES 1000-F01)**

Latch bolt by lever either side.



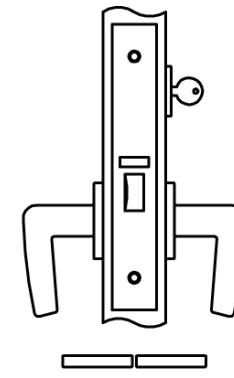
**8739/8839  
PRIVACY BEDROOM OR BATHROOM  
(ANSI SERIES 1000-F19)**

Latch bolt by lever either side.  
Deadbolt by turn piece inside, optional emergency key outside.  
A turn of inside lever retracts latch and deadbolt simultaneously, automatically unlocking outside lever.



**8742/8842  
ENTRANCE OR PUBLIC RESTROOM  
(ANSI SERIES 1000-F09)**

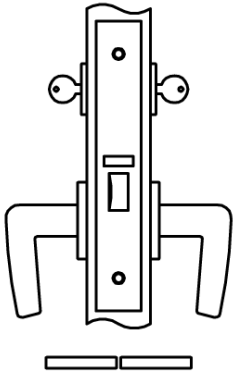
Latch bolt by lever either side unless outside lever is locked by Master Key from inside.  
When outside lever is locked, latch bolt by key outside and lever inside.  
Auxiliary latch deadlocks latch bolt.



**8745/8845  
CLASSROOM  
(ANSI SERIES 1000-F05)**

Latch bolt by key outside and lever either side unless outside lever is locked by key.  
Auxiliary latch deadlocks latch bolt.

# 8700/8800 Series: Functions

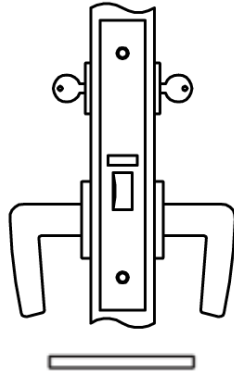


## 8745S/8845S CLASSROOM SECURITY (ANSI SERIES 1000-F88)

Latch bolt by lever either side unless outside lever is locked by Master Key from inside.

When outside lever is locked, latch bolt by key outside and lever inside.

Auxiliary latch deadlocks latch bolt.



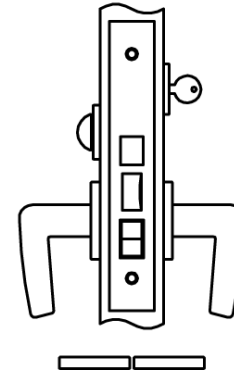
## 8746/8846 CLASSROOM DOUBLE LOCKING

Latch bolt by key from either side.

Key from either side locks and unlocks outside **and** inside\* levers.

Auxiliary latch deadlocks latch bolt.

*\*Inside lever is not always free. Verify code compliance before using this function.*



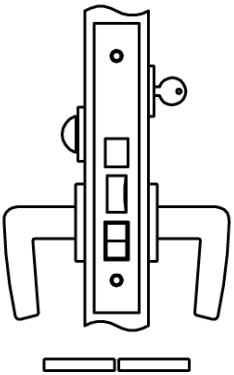
## 8748/8848 ENTRANCE OR APARTMENT (ANSI SERIES 1000-F12)

Latch bolt by key outside and lever either side unless outside lever is locked by toggle action stop.

Deadbolt by key outside and turn piece inside.

Turning inside lever retracts latch and deadbolt simultaneously.

Outside lever remains locked until manually unlocked by toggle.



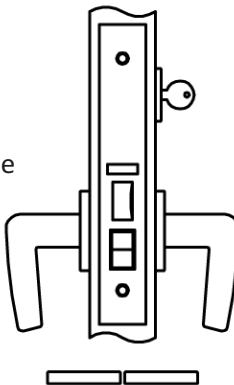
## 8749/8849 ENTRANCE OR APARTMENT

Latch bolt by key outside and lever either side unless outside lever is locked by toggle action stop.

Deadbolt by key outside and turn piece inside.

Turning inside lever retracts latch and deadbolt simultaneously.

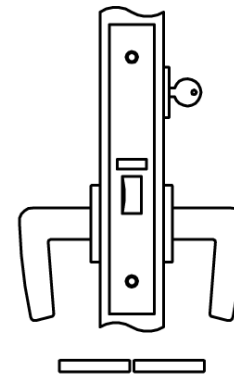
Outside lever remains unlocked until manually locked by toggle or projection of deadbolt.



## 8756/8856 ENTRANCE OR OFFICE (ANSI SERIES 1000-F04)

Latch bolt by key outside and lever either side unless outside lever is locked by toggle-action stop.

Auxiliary latch deadlocks latch bolt.



## 8759/8859 STOREROOM OR CLOSET (ANSI SERIES 1000-F07)

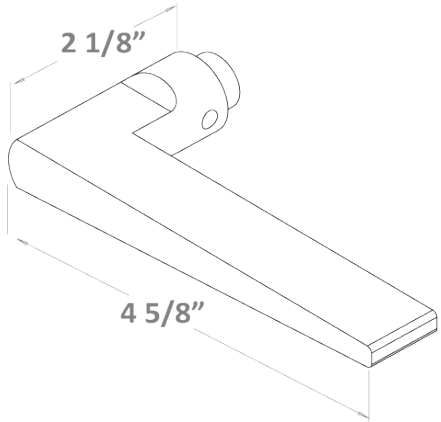
Latch by lever inside and key outside.

Outside lever always **rigid**.

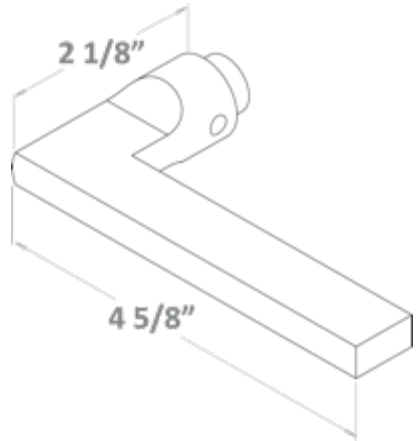
Auxiliary latch deadlocks latch bolt.

# DESIGNER LEVER TRIM OPTIONS

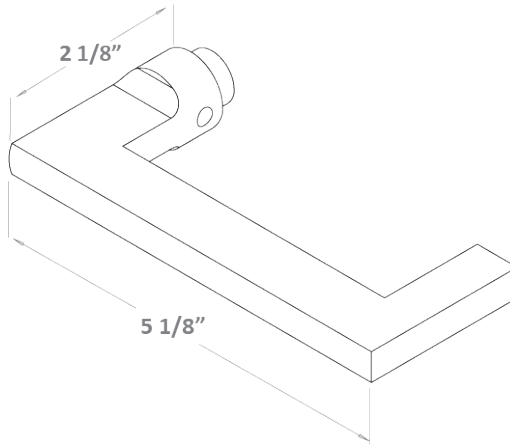
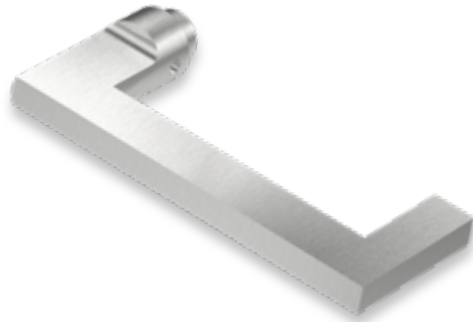
18L LEVER



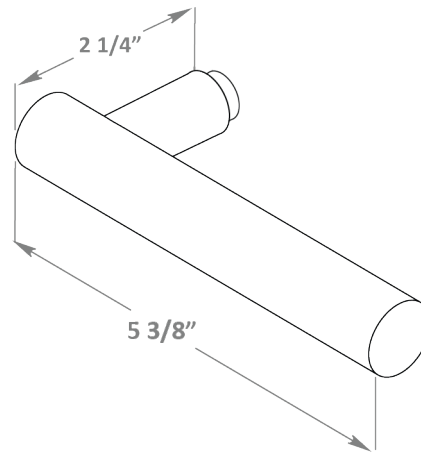
19L LEVER



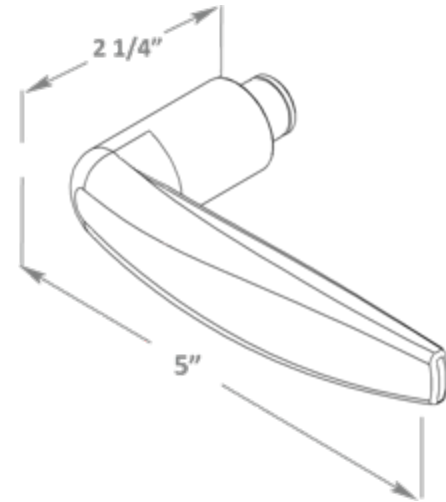
20L LEVER



7200L LEVER



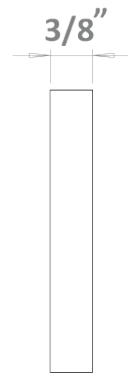
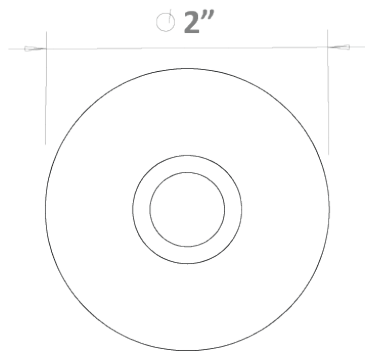
29L LEVER



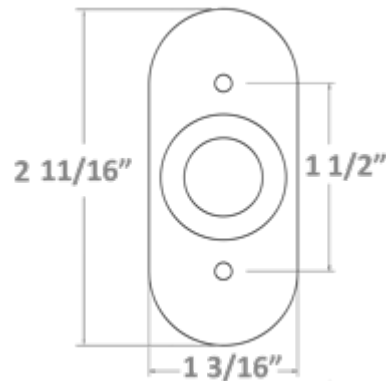
# DESIGNER ROSE + ESCUTCHEON OPTIONS

COMPATIBLE WITH ALL ACCURATE LEVERS

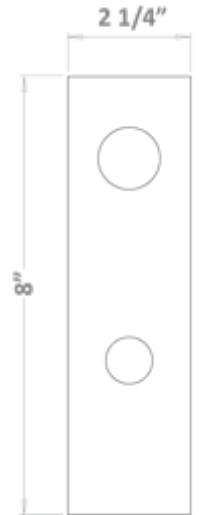
1R ROSE



NB118 ROSE



1E ESCUTCHEON

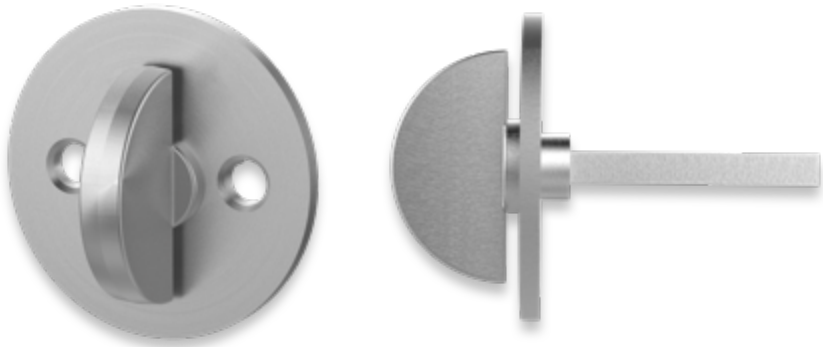


Can be custom made in other widths for very narrow stiles:  
e.g. 1E-200 (2" wide)  
e.g. 1E-175 (1 3/4" wide)

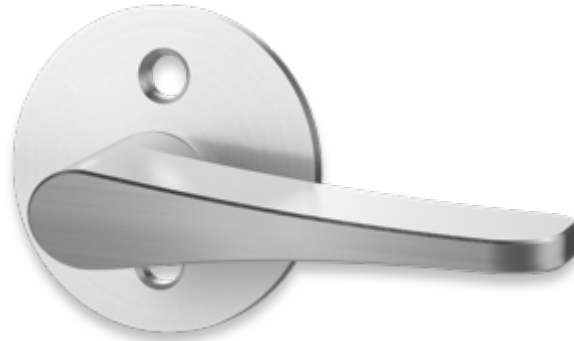


# THUMBTURNS + ACCESSORIES

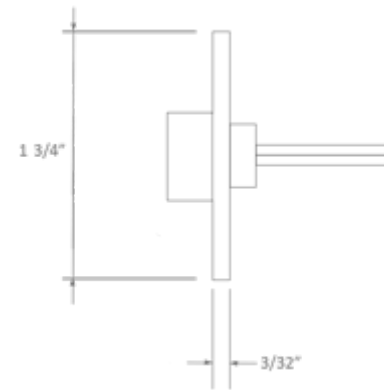
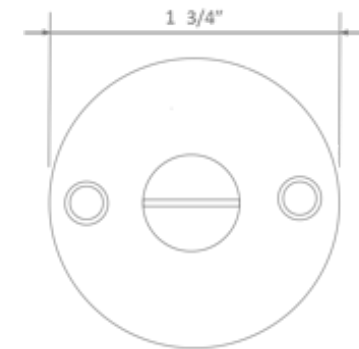
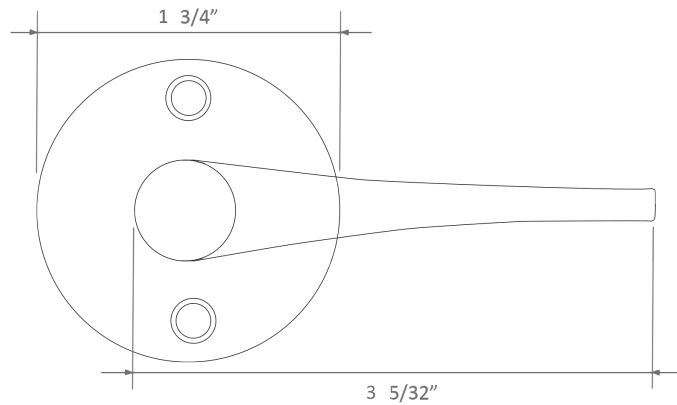
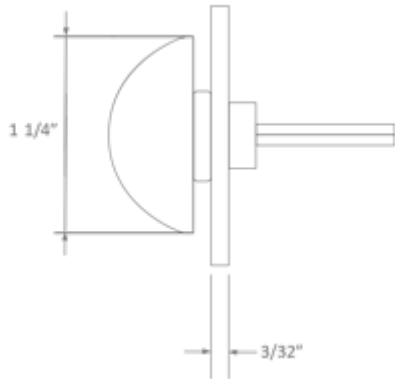
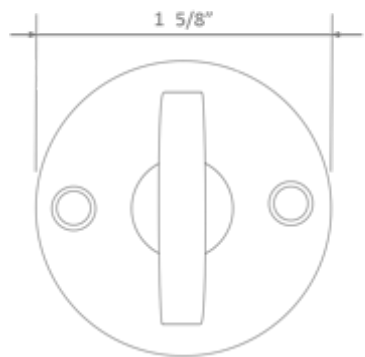
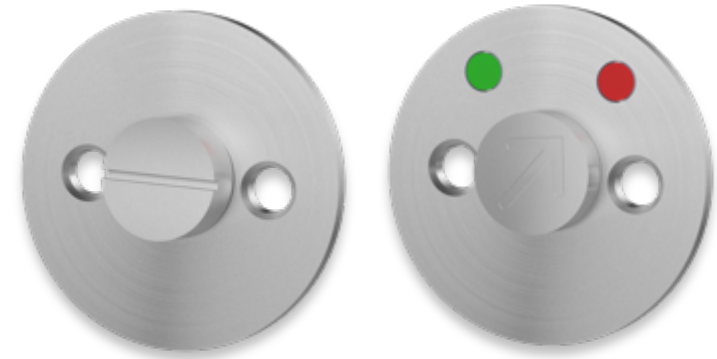
GF1106 ½ THUMBTURN



7200ADA  
THUMBTURN

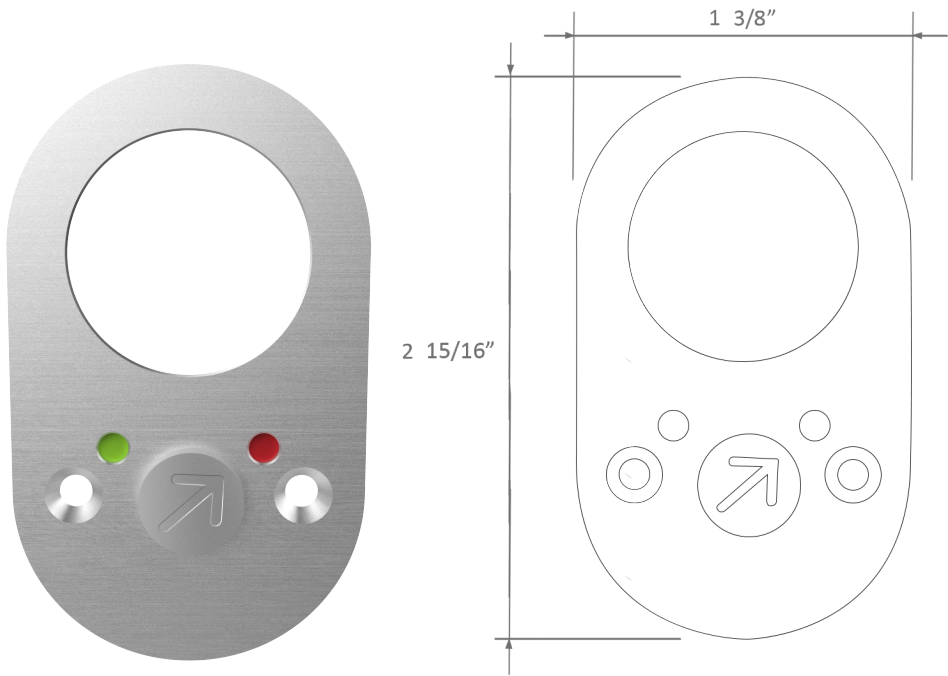


7200ER + 7200ERi  
EMERGENCY COIN RELEASE



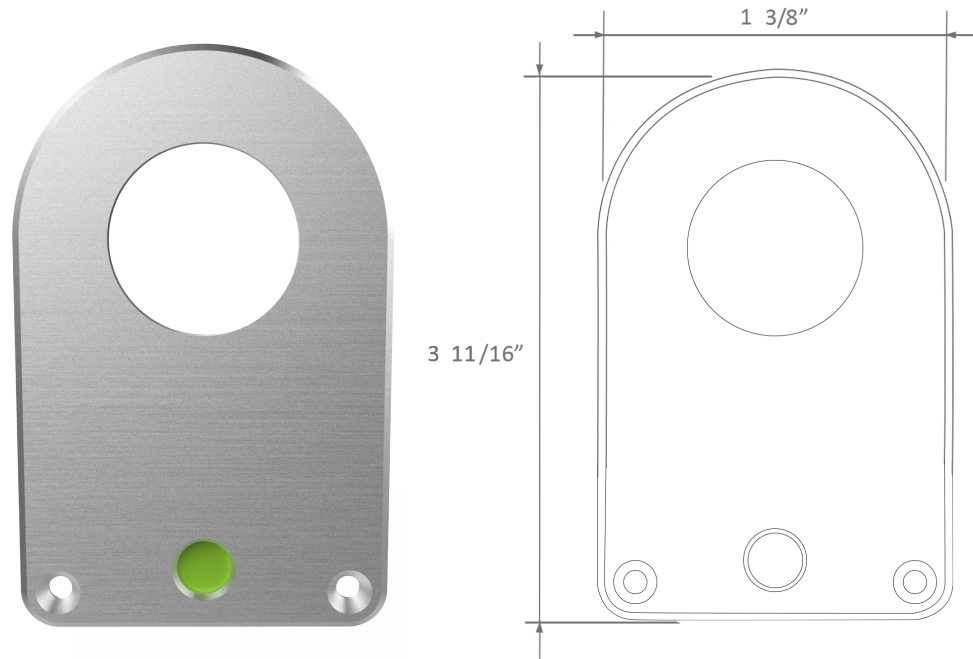
# ACCESSORIES

### 7200Ci OCCUPANCY INDICATOR



Only for deadbolt functions:  
 (8801, 8802, 8803, 8822, 8824, 8848, 8849)

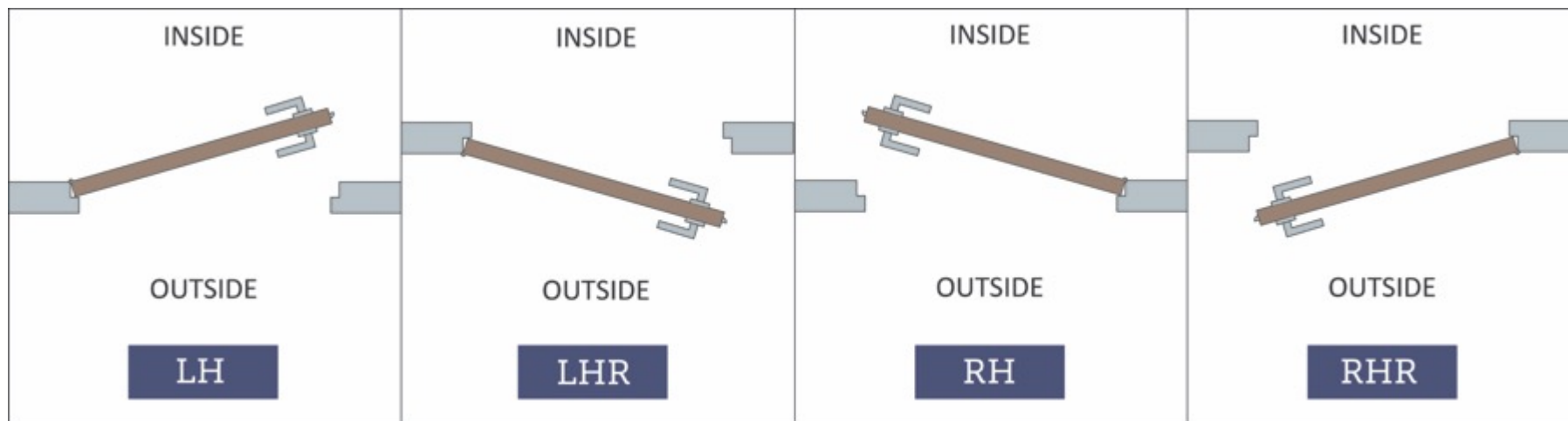
### 7200SCi OCCUPANCY INDICATOR



For all functions

# HOW TO SPECIFY

## HANDING



## FINISHES

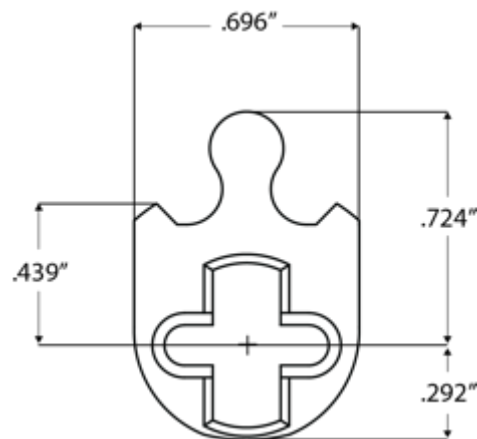
**GROUP 1:** US4, US4NL, US32D\*, US26D

**GROUP 2:** US3, US3NL, US26, US32\*, US9\*, US10\*, US10B, US14, US15, US19

**GROUP 3:** BN, BB, TN, TB, DURO, ESN, US15A, US5

\* Trim options (including Designer levers) may not be available in US32D, US32, US9, or US10 finish. Please call for assistance.

To view example of finishes visit: [Accurate Finishes](#).



## CYLINDERS & KEYING

8700/8800 series locks accept any standard American mortise cylinder. For details on required cams and compatibility with other manufacturers' cylinders, please visit: [Accurate Support](#).

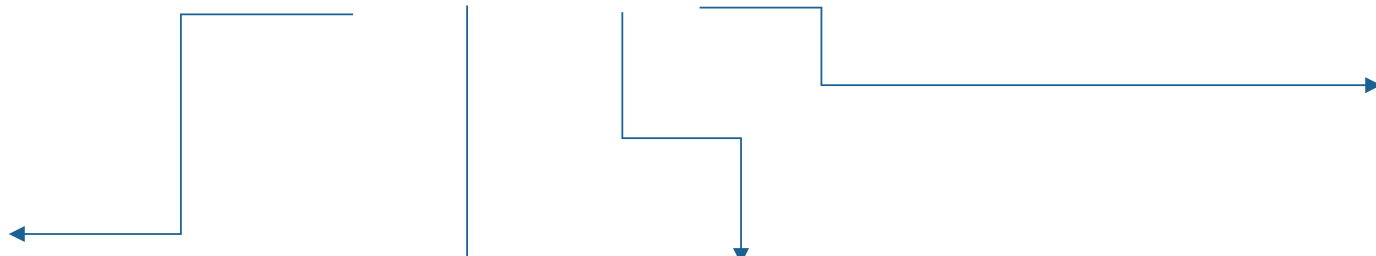


# HOW TO SPECIFY

**FUNCTION.BACKSET.TRIM.FINISH.HAND.DOORTHICKNESS**

## Functions

See available functions (pg. 4-6)

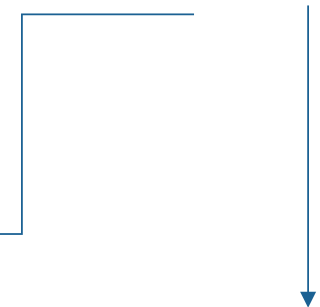


## Finishes

See available finishes pg. 11



**Backset**  
1 1/2", 1 3/4",  
2", 2 1/4"



## Trim

Accurate trim or other manufacturers' sectional (rose) Trim (specify hub size or brand)\*

### Configurations:

- LxL, KxK, Custom TPxK or Custom TPxL where applicable (call for assistance)



## EXAMPLES

Classroom Lock | Other Manufacturers' Trim

E.g.: 8845.2.LxL.8mm.US26D.RH.214

Entry Lock Custom Set Up for Grip x Knob | Other Manufacturers' Trim

E.g.: 8824.214.TPxL-7.2mm.US3.LH.134

Office Lock | Accurate Trim

E.g.: 8856.134.29L/NB118.US26D.RH.134

Privacy Lock, Upside Down (Lever Above Thumb turn) | Accurate Trim

E.g.: 8739USD.134.LxL.18L/1R.US4.LHR.138

Passage Lock, Upside Down (Knob High) | Other Manufacturers' Trim

E.g.: 8825USD.112.KxK-7mm.US3NL.RH.134

**Thumb turns and accessories must be listed separately when required.**

*\*Note: For compatibility please verify vertical spacing as well as thru bolting locations or call for assistance.*

**ACCURATE LOCK & HARDWARE**  
**MANUFACTURERS OF CUSTOM LOCKS**  
**AND ARCHITECTURAL HARDWARE**



1 Annie Place | Stamford, CT 06902

**P:** 203.348.8865

**F:** 203.348.5234

**E:** [sales@accuratelockandhardware.com](mailto:sales@accuratelockandhardware.com)

**[www.accuratelockandhardware.com](http://www.accuratelockandhardware.com)**



**AMERICAN CRAFTED**  
**— SINCE 1972 —**