



ACCURATE LOCK & HARDWARE

AMERICAN CRAFTED SINCE 1972

2000 SERIES

POCKET DOOR LOCKS

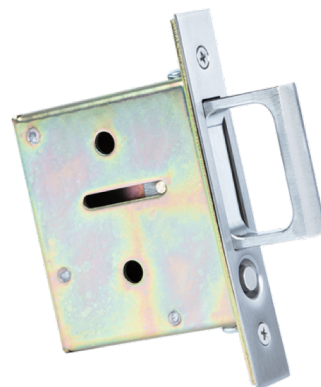
MATERIAL: BRASS	FINISH: US15	QTY: 22pcs
QUANTITY: 22	DATE: 10/15/17	REV: 1
DESIGNED BY: J. B. BROWN	DATE: 10/15/17	REV: 1
DRAWN BY: J. B. BROWN	DATE: 10/15/17	REV: 1
CHECKED BY: J. B. BROWN	DATE: 10/15/17	REV: 1
APPROVED BY: J. B. BROWN	DATE: 10/15/17	REV: 1
PART NO: FC3004		

2000 SERIES



2002CPDL POCKET DOOR LOCK WITH INTEGRATED EDGE PULL

- Premium quality mortise lock
- Narrow and large backsets available



2000 POCKET DOOR EDGE PULL

- For non-locking passage pocket doors
- $3\frac{1}{16}$ " deep mortise body standard



2002CPDP POCKET DOOR EDGE PULL

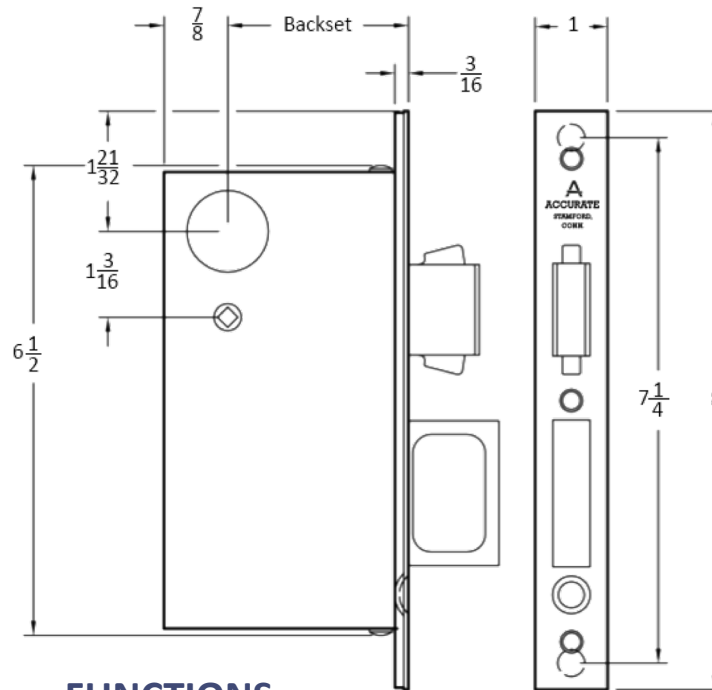
- For non-locking passage pocket doors
- $3\frac{3}{8}$ " deep mortise body standard
- ($2\frac{7}{8}$ " depth is readily available when specified as 2002CPDP-SD)



2002CPDS POCKET DOOR STRIKE WITH INTEGRATED EDGE PULL

- For "dummy doors" on double door openings
- $3\frac{3}{8}$ " deep mortise body standard
- ($2\frac{7}{8}$ " depth is readily available when specified as 2002CPDS-SD)

2002CPDL



2002 POCKET DOOR LOCK WITH INTEGRATED EDGE PULL

- Premium quality mortise lock
- Narrow and large backsets available
- Spring loaded edge pull that pops out with the press of a button allowing for comfortable operation to pull door out of the pocket

FUNCTIONS*

- 2002Q-1** By Key Outside Only
- 2002Q-2** By Key Outside and Inside
- 2002Q-3** By Key Outside, Thumb turn inside
- 2002Q-4** By Thumb turn Inside Only
- 2002Q-5** By Thumb turn Inside, Emergency release outside
- 2002Q-ST** "Classroom Deadlock": Key outside will project / retract deadbolt. Thumb turn inside can retract but not throw deadbolt

*** Numbers are for specification and door preparation purposes only: Lock Body Only. Inside and Outside trim must be specified separately.**

TECHNICAL SPECS

Backset: 2", 2 $\frac{1}{4}$ ", 2 $\frac{1}{2}$ ", 2 $\frac{3}{4}$ ", 3 $\frac{3}{4}$ ", 5" or 6". Narrow and large backsets available as a custom order

Case: Heavy Gauge, Wrought ($\frac{11}{16}$ " thick)

Deadbolt: $\frac{1}{2}$ " thick, 1 $\frac{7}{32}$ " high, 1" throw

Pull: $\frac{1}{2}$ " thick, 2" high, 1 $\frac{1}{4}$ " throw

Thumb Turn Hub: $\frac{3}{16}$ " (5mm) on the diamond standard (Specialty 6mm square hub available as a special order)

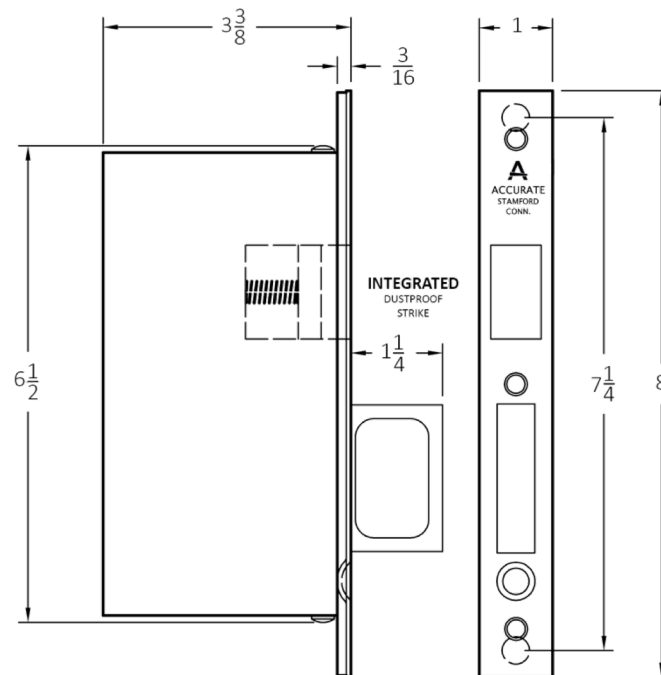
Armor Front: 1" wide, 8" tall standard made from brass, bronze or stainless steel, and finished as required.

Strike: 3 $\frac{1}{2}$ " x 1" deadlock type strike for single doors included (Specify SD). 8" tall strike available at an upcharge (Specify SD-8). For double door openings, refer to #2002CPDS.

Dust Box: For single doors. Available in brass, stainless steel or US10B

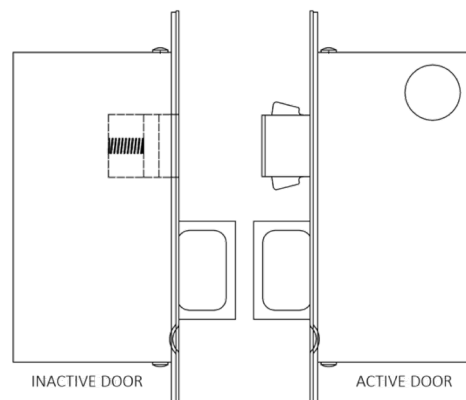
Cylinder: Must be specified separately, lock requires standard American mortise cylinder with a clover leaf cam – see "HOW TO SPECIFY" section for details

2002CPDS



2002CPDS-Q POCKET DOOR STRIKE WITH INTEGRATED EDGE PULL

- For "dummy doors" on double door openings
- $3\frac{3}{8}$ " deep mortise body standard ($2\frac{7}{8}$ " depth is readily available when specified as 2002CPDS-SD)
- Spring loaded edge pull that pops out with the press of a button allowing for comfortable operation to pull door out of the pocket



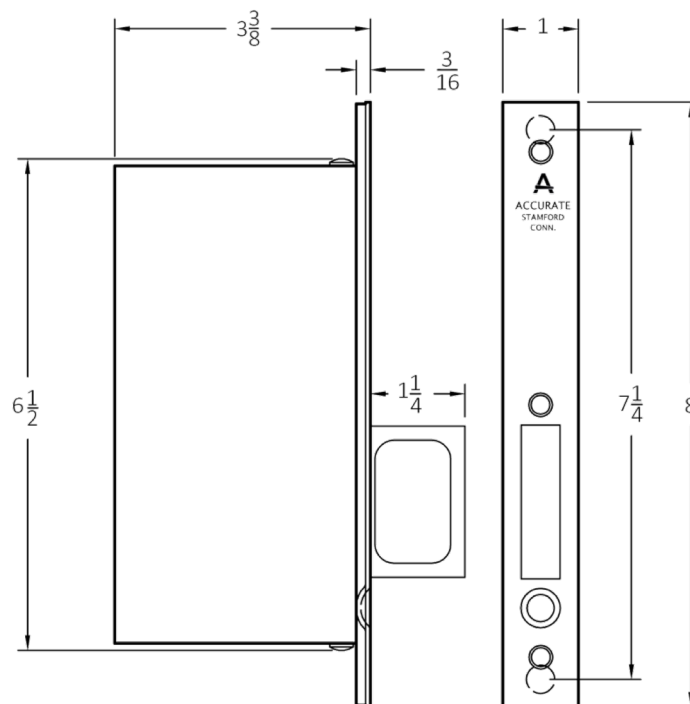
TECHNICAL SPECS

$3\frac{3}{8}$ " overall depth standard
 $2\frac{7}{8}$ " overall depth available (specify as 2002CPDS-SD)

Case: Heavy Gauge, Wrought ($1\frac{1}{16}$ " thick)

Armor Front: 1" wide, 8" tall standard made from brass, bronze or stainless steel, and finished as required.

2002CPDP-Q



2002CPDP POCKET DOOR EDGE PULL

- For non-locking passage pocket doors
- $3\frac{3}{8}$ " deep mortise body standard ($2\frac{7}{8}$ " depth is readily available when specified as 2002CPDP-SD)
- Spring loaded edge pull that pops out with the press of a button allowing for comfortable operation to pull door out of the pocket

TECHNICAL SPECS

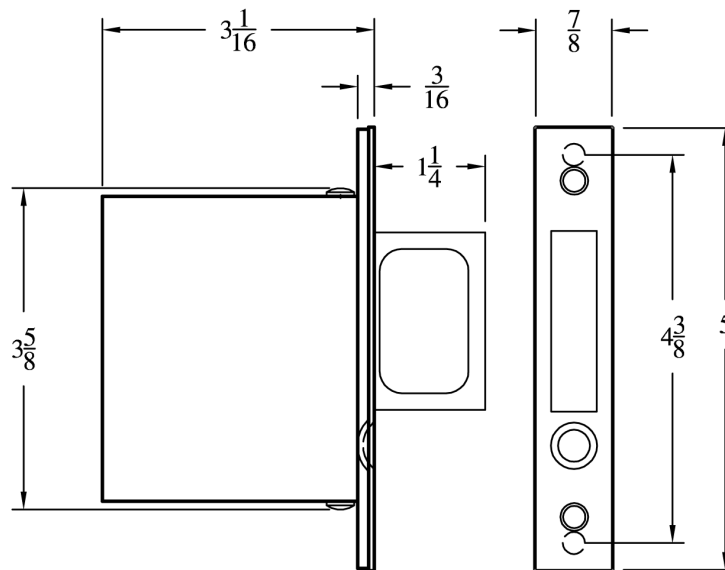
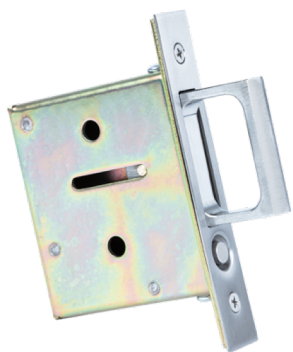
$3\frac{3}{8}$ " overall depth standard
 $2\frac{7}{8}$ " overall depth available
 (specify as 2002CPDP-SD)

Case: Heavy Gauge, Wrought ($\frac{11}{16}$ " thick)

Armor Front: 1" wide, 8" tall standard made from brass, bronze or stainless steel, and finished as required.

Strike: Jamb Protector Plate available (for wood frames), 1" wide x 8" tall. Specify 2002JPP separately.

2000



2000 POCKET DOOR EDGE PULL

- For non-locking passage pocket doors
- $3\frac{1}{16}$ " deep mortise body standard
- Spring loaded edge pull that pops out with the press of a button allowing for comfortable operation to pull door out of the pocket.

TECHNICAL SPECS

$3\frac{1}{16}$ " overall depth

Case: Heavy Gauge, Wrought ($1\frac{1}{16}$ " thick)

Armor Front: 1" wide, 5" tall standard made from brass, bronze or stainless steel, and finished as required.

Strike: Jamb Protector Plate available (for wood frames), 1" wide x 8" tall. Specify 2002JPP separately.

HOW TO SPECIFY

RECOMMENDED CYLINDER LENGTHS FOR FLUSH TRIM SETS

	1 ³ / ₈ " Thick Door	1 ³ / ₄ " Thick Door	2 ¹ / ₄ " Thick Door
Cylinder One Side Only	3/4"	1"	1 ¹ / ₈ "
Cylinder x Cylinder	Application Not Recommended	3/4"	1"

FINISHES

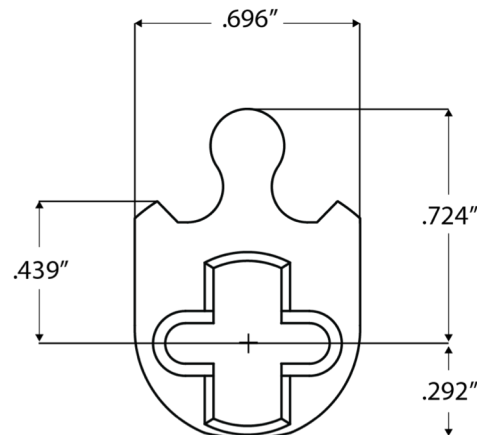
GROUP 1: US4, US4NL, US32D*, US26D

GROUP 2: US3, US3NL, US26, US32*, US9*, US10*, US10B, US14, US15, US19

GROUP 3: BN, BB, TN, TB, DURO, ESN, US15A, US5

* Trim options may not be available in US32D, US32, US9, or US10 finish. Please call for assistance.

To view example of finishes visit: [Accurate Finishes](#).

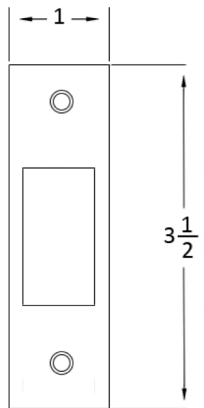


CYLINDERS & KEYING

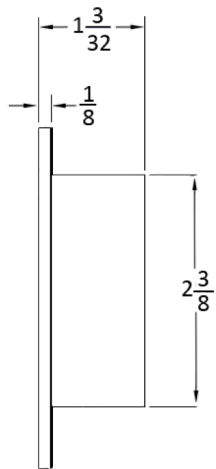
2000 Series accepts any standard American mortise cylinder. For details on required cams and compatibility with other manufacturers' cylinders, please visit: [Accurate Support](#).

HOW TO SPECIFY

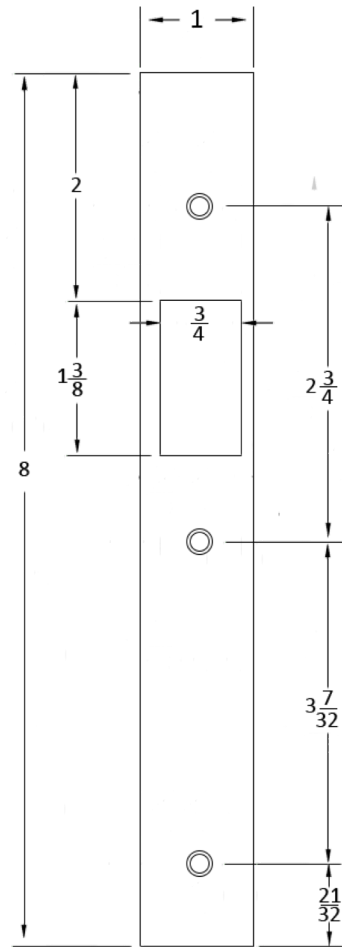
SD STRIKE



SD DUSTBOX

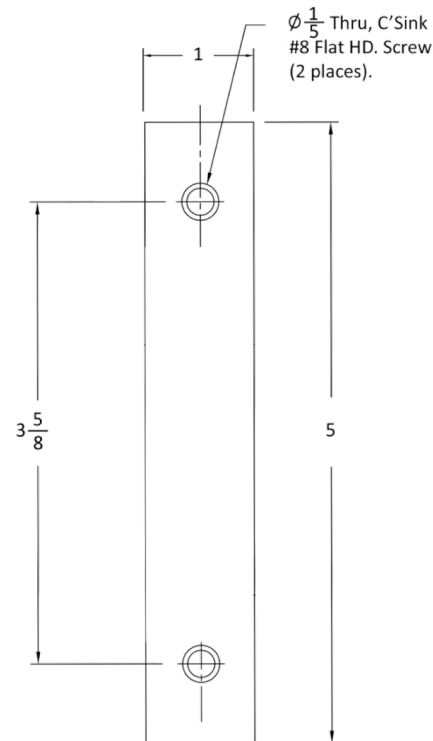


SD-8

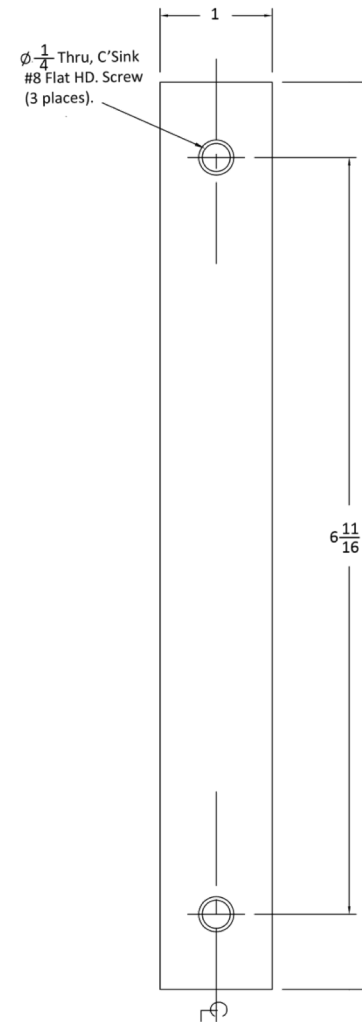


8" Tall Strike with
Integrated Protector
Plate for 2002 Locks

2000 JPP JAMB PROTECTOR PLATE



2002CPDP JPP JAMB PROTECTOR PLATE





HOW TO SPECIFY

[TRIM STYLE].FUNCTION.BACKSET.FINISH.DOORTHICKNESS.STRIKE.[OPTIONS]

Trim (Optional)
 If Accurate Flush Pulls are required, please specify:

- S, A, N, O
- CS, CA, CN, CO
- 24R, 24S
- FC2348, FE2348
- VT Vantage Trim (special prep required)

- Functions**
- 2002-1
 - 2002-2
 - 2002-3
 - 2002-4
 - 2002-5
 - 2002-ST
 - 2000
 - 2002CPDP-SD
 - 2002CPDP
 - 2002CPDS-SD

Available Backsets (For 2002 Only)
 2", 2¹/₄", 2¹/₂", 2³/₄", 3 ³/₄", 5" or 6"
 Custom narrow and large backsets available as a special order

Finishes
 Available finishes pg.8

For 2002 only, specify*:
 SD (single door)
 SD-8
 PD (pair of doors 2002CPDS)

For 2000, 2002CPDP or 2002CPDP-SD specify:
 JPP (Jamb Protector Plate)

***Only SD Strike and Dust Box are included in lock cost. Other options involve additional cost.**

Options
 Finished bolts/buttons/bales where applicable at an upcharge

EXAMPLES

Privacy Pocket Door | CS Flush Pulls
 E.g. **CS.2002-5.212.US3NL.214DT.SD**

Double Cylinder Pocket Door Set | S Flush Pulls
 E.g. **S.2002-2.234.US26D.134DT.SD**

Passage Pocket Door | 24R Flush Pulls (2" Diameter)
 E.g. **24R.2000.BN.134DT.JPP**

Privacy Pocket Door | FC2348 Flush Pulls | All Bolts Finished
 E.g. **FC2348.2002-5.212.US10B.234DT.SD.US10B Bolts**

Office Pocket Double Doors (to include 2002CPDS) | Other Manufacturers' Trim
 E.g. **2002-3.234.US15.2DT.PD**

Passage Set with 2002CPDP to Match Doors with 2002 Locks
 E.g. **24S.2002CPDP.ESN.138DT.PD**

**ACCURATE LOCK & HARDWARE
MANUFACTURERS OF LOCKS AND
CUSTOM ARCHITECTURAL HARDWARE**

1 Annie Place | Stamford, CT 06902

P: 203.348.8865

F: 203.348.5234

E: sales@accuratelockandhardware.com

www.silentpacsolutions.com

www.accuratelockandhardware.com



**AMERICAN CRAFTED
— SINCE 1972 —**